

FORD EXCURSION 2000 - UP



INNHold:

Alternator – (Dynamo).....	side 111
Belt – (Vifferem).....	side 111
Brake Parts – (Bremsedeler).....	side 111
Filter – (Filter).....	side 112
Fuel Pump – (Bensinpumpe).....	side 112
Hub & Seal – (Hjullager & simring).....	side 112
Shocks & Struts – (Støtdempere).....	side 112
Spark Plugs – (Tennplugger).....	side 112
Starter – (Starter motor).....	side 111
Steering & Suspension – (Forstilling).....	side 113
Water Pump – (Vannpumpe).....	side 112
Wiper Blades – (Vindusviskere & spylere).....	side 114

PART LIST FOR FORD EXCURSION

ALTERNATOR			
EXCURSION			
Year	Engine	Options	Part No.
05 - 02	V8 5.4L/330cid	All - 110A	8310
01 - 00		All - 130A	7764-P66
05 - 03	V8 6.0L/363cid (Dsl)	All - 110A	250-450
05 - 02	V10 6.8L/415cid	All - 110A	8310
01 - 00		All - 130A	7764-P66
03 - 02	V8 7.3L/445cid (Dsl)	All - 105A	8316
01 - 00		All - 105A	7796
STARTER			
Year	Engine	Options	Part No.
05 - 00	V8 5.4L/330cid	All	6646
04 - 03	V8 6.0L/363cid (Dsl)	All	6670
05 - 00	V10 6.8L/415cid	All	6646
03 - 01	V8 7.3L/445cid (Dsl)	Ndenso Replacement	17802
		Visteon (Ford) Unit	6669
00		Ndenso Replacement	17802
		Mitsubishi Unit	17578

BELT & TENSIONER			
EXCURSION			
Year	Engine	Options	Part No.
02	V10 6.8L/415cid (S)	Multiple Accessory, w/AC	5060990
		Idler Pulley	89006
		Tensioner Pulley (Smooth), w/AC	89007
		Multiple Accessory, w/AC	5081000
		Idler Pulley	89006
		Tensioner Pulley (Smooth), w/AC	89007
	V8 5.4L/330cid (L)	Multiple Accessory, w/AC (Dual Alt) (D.I)	5081373
		Multiple Accessory, w/AC (Single Alt) (D.I)	5081223
		Idler Assy, Pulley (D.I)	89048
		Tensioner Pulley (Grooved) (Dual Pulley) (D.I)	89053
		Tensioner Pulley (Smooth) (Dual Pulley) (D.I)	89016
01	V10 6.8L/415cid (S)	Multiple Accessory, w/AC	5080990
		Multiple Accessory, w/o AC	5080805
		Idler Assy, Pulley	89048
		Tensioner Pulley (Smooth), w/AC	89016
		Automatic Belt Tensioner (Smooth), w/AC	89237
	V8 5.4L/330cid (L)	Multiple Accessory, w/AC	5081000
		Idler Assy, Pulley	89048
		Multiple Accessory, w/AC (Dual Alt) (D.I)	5081373
		Multiple Accessory, w/AC (Single Alt) (D.I)	5081223
		Idler Assy, Pulley (D.I)	89048
		Tensioner Pulley (Grooved) (Dual Pulley) (D.I)	89053
00	V10 6.8L/415cid (S)	Tensioner Pulley (Smooth) (Dual Pulley) (D.I)	89016
		Multiple Accessory, w/AC	5080990
		Multiple Accessory, w/o AC	5080805
		Idler Assy, Pulley	89048
		Tensioner Pulley (Smooth), w/AC	89016
		Automatic Belt Tensioner (Smooth), w/AC	89237
	V8 5.4L/330cid (L)	Multiple Accessory, w/AC	5081000
		Idler Assy, Pulley	89048
		Tensioner Pulley (Smooth), w/AC	89016

BRAKE PADS AND SHOES			
EXCURSION			
Year	Front Pads	Qualifier	Part No.
05 - 00	Brake Pads		MX756
Year	Rear Pads and Shoes	Qualifier	Part No.
05 - 00	Brake Pads		MX757
Year	Parking Brake Shoes	Qualifier	Part No.
03 - 00	Brake Shoes		PAB771
ROTOR AND DRUM			
Year	Front Rotors	Qualifier	Part No.
05 - 01	Brake Rotor	4WD	BD125715
00	Brake Rotor	4WD; From 3/22/99	BD125715
00	Brake Rotor	4WD; To 3/22/99	BD125662
Year	Rear Rotor and Drums	Qualifier	Part No.
05 - 00	Brake Rotor		BD125660
BRAKE HARDWARE			
Year	Front Brake Hardware	Qualifier	Part No.
02 - 00	Caliper Bolt/Pin		F139370
02 - 00	Disc Align Kit		F139357
02 - 00	Pin Boot Kit		F139362
Year	Rear Brake Hardware	Qualifier	Part No.
02 - 00	Caliper Bolt/Pin		F139371
02 - 00	Disc Align Kit		F139353
02 - 00	Pin Boot Kit		F139363
Year	Parking Brake	Qualifier	Part No.
03 - 00	Combi Kit		F139717
CALIPERS			
Year	Left Front, Unloaded	Qualifier	Part No.
05 - 00	Unloaded Caliper		CR134536
Year	Right Front, Unloaded	Qualifier	Part No.
05 - 00	Unloaded Caliper		CR134537
Year	Left Rear, Unloaded	Qualifier	Part No.
05 - 00	Unloaded Caliper		CR134362
Year	Right Rear, Unloaded	Qualifier	Part No.
05 - 00	Unloaded Caliper		CR134361
HYDRAULICS			
Year	Front Brake Hose	Qualifier	Part No.
05 - 00	Brake Hose	LH; 4WD	F140323
05 - 00	Brake Hose	RH; 4WD	F140325

FILTER				
EXCURSION				
Year	Engine	Oil	Air	Fuel
05 - 04	V8 5.4L (L)	PH820	AF1615	G6367
	V8 6.0L (P) (Dsl)	LP2017	LAF1646	L4604F
	V10 6.8L (S)	PH820	AF1615	G6367
03	V8 5.4L (L)	PH820	AF1615	G6367
	V8 6.0L (P) (Dsl)	LP2016/LP2017	LAF1646	L4604F
	V10 6.8L (S)	PH820	AF1615	G6367
02	V8 7.3L (F) (Dsl)	LFP2286	LAF9096	L4596F
	V8 5.4L (L)	PH820	AF1615	G6367
	V10 6.8L (S)	PH820	AF1615	G6367
01	V8 7.3L (F) (Dsl)	LFP2286	LAF9096*	L4596F
	V8 5.4L (L)	PH820	AF1615	G6367
	V10 6.8L (S)	PH820	AF1615	G6367
00	V8 7.3L (F) (Dsl)	LFP2286	LAF9096*	L5788F/L4596F
	V8 5.4L (L)	PH820	AF1615	G6367
	V10 6.8L (S)	PH820	AF1615	G6367
	V8 7.3L (F) (Dsl)	LFP2286	LAF1680	L5788F/L4596F

* With Dealer installed severe duty oval filter use LAF6122

FUEL PUMP			
EXCURSION			
V8			
Year	Engine	Qualifier	Part No.
04	V8 5.4L/330cid	(L) From 2/1/2004; Exc. Calif	P74998M
03 - 00	V8 7.3L/445cid	(F) (Dsl)	P74221
V10			
04	V10 6.8L/415cid	(S) From 2/1/2004; Exc. Calif	P74998M
WATER PUMP			
V8			
Year	Engine	Qualifier	Part No.
04 - 03	V8 5.4L/330cid	(L)	AW4130
03 - 00	V8 7.3L/445cid	(F) (Dsl)	AW4114
02 - 00	V8 5.4L/330cid	(L)	AW4122
V10			
04 - 00	V10 6.8L/415cid	(S)	AW4109

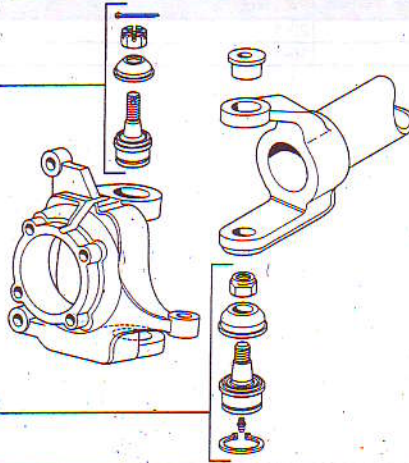
HUB ASSEMBLY & SEAL			
EXCURSION			
Front Wheel 4WD			
Year	Model	Seal	Hub Assembly
05 - 02	Coarse Thread Studs		515020
05 - 02	Fine Thread Studs		515056
01 - 00			515020
Rear Wheel			
Year	Model	Seal	Hub Assembly
05 - 00	(Inner)	370247A	A53
	(Outer)		A38

SHOCKS & STRUTS			
EXCURSION			
		EDELBROCK	
Years	Model	Front	Rear
03 - 00	All Engines; 4WD	33224	34224

SPARK PLUGS			
EXCURSION			
Year	Engine	Standard Part No.	Gap
03 - 02	V8 5.4L (L)	AGSF22WM	.054
02 - 00	V8 7.3L (F) (Dsl)	ZD11	
	V10 6.8L (S)	AGSF22WM	.054
01	V8 5.4L (L)	AGSF22W	.054
	V10 6.8L (S)	AGSF22W	.054
00	V8 5.4L (L)	AWSF22E	.054
	V10 6.8L (S)	AWSF22E	.054

2002-00 FORD EXCURSION (MONOBEAM AXLE) 4-WHEEL DRIVE

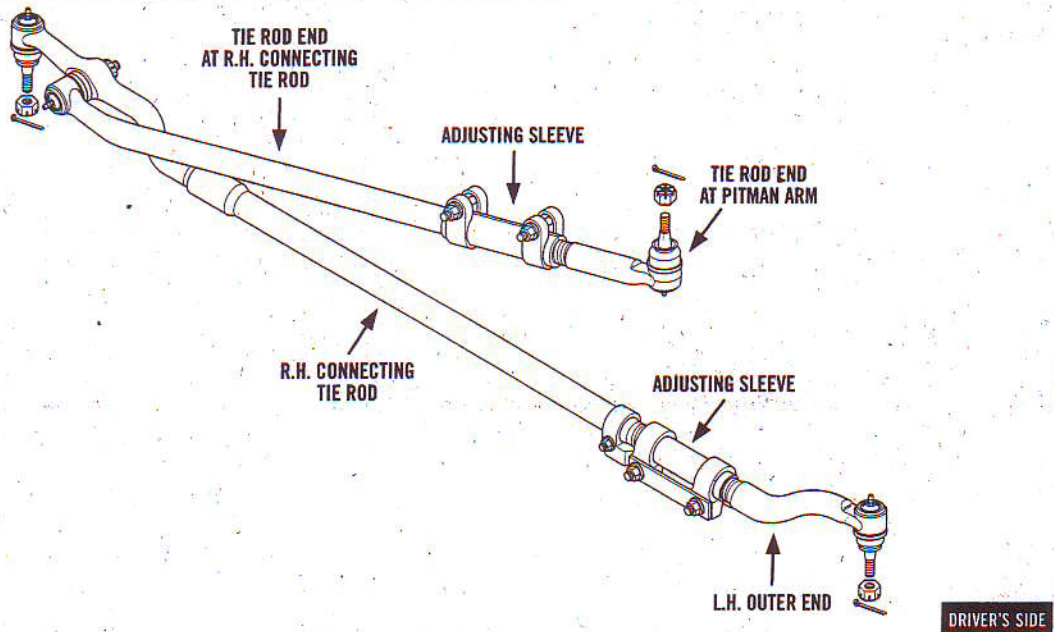
UPPER BALL JOINT		
Year	Model	Part No.
02-00	All	K80026



LOWER BALL JOINT		
Year	Model	Part No.
02-00	All	K8607T

TIE ROD ENDS

2004-00 FORD EXCURSION (MONOBEAM AXLE) 4-WHEEL DRIVE



YEAR	MODEL	TIE ROD ENDS					
		R.H. CONNECTING TIE ROD TO PITMAN ARM			STEERING ARM TO STEERING ARM		
		At R.H. Connecting Tie Rod	Adjusting Sleeve	At Pitman Arm	R.H. Connecting Tie Rod	Adjusting Sleeve	L.H. Outer End
04-00	All	DS1438	ES3426S	ES3427T ³⁸⁴	DS1439	ES3422S	ES3423

³⁸⁴Enhanced design.

REAR SWAY BAR KITS

YEAR	MODEL/DESCRIPTION	Bushing Kit	Link Repair Kit
03-00	Excursion 4-Wheel Drive With 3/4" Dia. Sway Bar	K80071	K80086 ³⁷⁴

³⁷⁴Bushing repair kit includes thermoplastic bushings for both ends of link. Does not include link. 1 kit required per truck.

