



**INNHOOLD:**

Alternator – (Dynamo).....	side 12
Belt – (Vifferem).....	side 12
Brake Parts – (Bremsedeler).....	side 12
Filter – (Filter).....	side 13
Fuel Pump – (Bensinpumpe).....	side 13
Hub & Seal – (Hjullager & simring).....	side 13
Shocks & Struts – (Støtdempere).....	side 14
Spark Plugs – (Tennpluggere).....	side 14
Starter – (Starter motor).....	side 12
Steering & Suspension – (Forstilling).....	side 14
Water Pump – (Vannpumpe).....	side 13
Wiper Blades – (Vindusviskere & spylere).....	side 15

# PART LIST FOR CHEVROLET AVALANCHE

ALTERNATOR			
AVALANCHE			
Year	Engine	Options	Part No.
03	V8 5.3L/320cid (T)	w/Opt. 145A	240-6223A
		w/Opt. 130A	240-6223
		w/Std. 105A	240-6225
02		w/Opt. 130A	8237
		w/Std. 105A	8238
03	V8 8.1L/496cid (G)	w/Opt. 145A	240-6223A
		w/Opt. 130A	240-6223
		w/Std. 105A	240-6225
02		w/Opt. 130A	8237
		w/Std. 105A	8238

STARTER			
Year	Engine	Options	Part No.
03	V8 5.3L/320cid (T)	All	6489
02		All	6489
02	V8 8.1L/496cid (G)	All	6449

BELT & TENSIONER				
AVALANCHE				
Year	Engine	Options	Part No.	
02	V8 5.3L/323cid (T)	Comp & Tens w/AC	5040378	
		Fan, Alt, WP, PS, Idler & Tens w/105A	5060923	
		Fan, Alt, WP, PS, Idler & Tens w/130A	5060930	
		Idler Pulley w/AC	89006	
		Idler Pulley w/o AC	89015	
		Tensioner Pulley	89009	
		Automatic Belt Tensioner (Comp)	89258	
		Automatic Belt Tensioner (WP, Alt & PS)	89253	
		V8 8.1L/496cid (G)	Multiple Accessory, w/130A, w/AC	5060955
			Multiple Accessory, w/o 130A, w/AC	5060950
Multiple Accessory, w/o AC	5060930			
Comp & Tens w/AC	5040400			
Idler Pulley	89006			
	Tensioner Pulley (Main Drive)	89009		

BRAKE PADS AND SHOES			
AVALANCHE 1500			
Year	Front Pads	Qualifier	Part No.
06 - 02	Brake Pads		MX785
Year	Rear Pads and Shoes	Qualifier	Part No.
06 - 02	Brake Pads		PD975

ROTOR AND DRUM			
Year	Front Rotors	Qualifier	Part No.
06 - 02	Brake Rotor		BD125654
Year	Rear Rotor and Drums	Qualifier	Part No.
05 - 02	Brake Rotor	w/13" Rotor; 6 Stud Whl.	BD126032
04 - 03	Brake Rotor	w/12-13/16" Rotor; 6 Stud Whl.	BD125655

BRAKE HARDWARE			
Year	Front Brake Hardware	Qualifier	Part No.
04 - 02	Caliper Bolt/Pin	4WD	F139712
04 - 02	Disc Align Kit		F139707
04 - 02	Pin Boot Kit		F138697S
Year	Rear Brake Hardware	Qualifier	Part No.
05 - 02	Caliper Bolt/Pin	4WD	F138102S
04 - 03	Disc Align Kit	4WD	F140509
02	Disc Align Kit	Exc. 4.10 A.R	F140509
02	Disc Align Kit	w/4.10 A.R	F139710
05 - 02	Pin Boot Kit	4WD	F138601S

CALIPERS			
Year	Left Front, Unloaded	Qualifier	Part No.
06 - 02	Unloaded Caliper		CR134346
Year	Right Front, Unloaded	Qualifier	Part No.
06 - 02	Unloaded Caliper		CR134345
Year	Left Rear, Unloaded	Qualifier	Part No.
05 - 02	Unloaded Caliper		CR134513
Year	Right Rear, Unloaded	Qualifier	Part No.
05 - 02	Unloaded Caliper		CR134512

HYDRAULICS			
Year	Front Brake Hose	Qualifier	Part No.
05 - 02	Brake Hose	LH	F140187

05 - 02	Brake Hose	RH	F140188
Year	Rear Brake Hose	Qualifer	Part No.
04 - 03	Brake Hose	LH; 7200 GVW	F140243
04 - 03	Brake Hose	RH; 7200 GVW	F140244
02	Brake Hose	LH	F140243
02	Brake Hose	RH	F140244

BRAKE PADS AND SHOES			
AVALANCHE 2500			
Year	Front Pads	Qualifer	Part No.
06 - 02	Brake Pads		MX784
Year	Rear Pads and Shoes	Qualifer	Part No.
06 - 02	Brake Pads		MX785
ROTOR AND DRUM			
Year	Front Rotors	Qualifer	Part No.
06 - 05	Brake Rotor		BD125653
04 - 02	Brake Rotor	Exc. 2" Body Raise Pkg.	BD125653
04 - 02	Brake Rotor	w/2" Body Raise Pkg	BD126036
Year	Rear Rotor and Drums	Qualifer	Part No.
06 - 02	Brake Rotor		BD125657
BRAKE HARDWARE			
Year	Front Brake Hardware	Qualifer	Part No.
05 - 02	Disc Align Kit		F139708
04 - 02	Pin Boot Kit		F138697S
Year	Rear Brake Hardware	Qualifer	Part No.
05 - 02	Caliper Bolt/Pin		F139712
03 - 02	Disc Align Kit		F139707
05 - 02	Pin Boot Kit		F138697S
CALIPERS			
Year	Left Front, Unloaded	Qualifer	Part No.
06 - 02	Unloaded Caliper		CR134347
Year	Right Front, Unloaded	Qualifer	Part No.
06 - 02	Unloaded Caliper		CR134348
Year	Left Rear, Unloaded	Qualifer	Part No.
06 - 02	Unloaded Caliper		CR134345
Year	Right Rear, Unloaded	Qualifer	Part No.
06 - 02	Unloaded Caliper		CR134346

FILTER				
AVALANCHE				
Year	Engine	Oil	Air	Fuel
02	V8 8.1L (G)	PH454	AF1300	G481
	V8 5.3L (T)	PH59	AF1519	G481

FUEL PUMP			
AVALANCHE 1500			
V8			
Year	Engine	Qualifer	Part No.
03 - 02	5.3L/323cid	(T) 130" WB; Exc Export	P75023M
		(T) 119" WB; Exc Export	P74832M
FUEL PUMP			
AVALANCHE 2500			
V8			
Year	Engine	Qualifer	Part No.
03	8.1L/496cid	(G) Rear; w/Tier 2 Phase Out, Exc Export	P74956M
		(G) Front; w/Tier 2 Phase Out, Export	P74906M
		(G) Front; Exc. Export	P74901M
02	8.1L/496cid	(G) Rear; w/o EVAP, Exc. Export	P74956M
		(G) Rear; w/Evap Emissions	P75020M
		(G) Front; w/Tier 2 Phase Out, Export	P74906M
		(G) Front; Exc. Export	P74901M
WATER PUMP			
AVALANCHE 1500 & 2500			
V8			
Year	Engine	Qualifer	Part No.
04 - 02	8.1L/496cid	(G)	AW5089
03 - 02	5.3L/327cid	(T)	AW5087

HUB ASSEMBLY & SEAL			
AVALANCHE 1500			
Front Wheel 4WD			
Year	Model	Seal	Hub Assembly
05 - 03	1500		515036
Rear Wheel			
Year	Model	Seal	Hub Assembly
05 - 03	1500	4762N	513067

### HUB ASSEMBLY & SEAL

AVALANCHE 2500			
Front Wheel 4WD			
Year	Model	Seal	Hub Assembly
05 - 03	2500		
Rear Wheel			
Year	Model	Seal	Bearing
05 - 03	2500	710105	R1561TV

### SHOCKS & STRUTS

AVALANCHE 1500			
LTV			
Years	Model	Front	Rear
05 - 02	All (Exc. Electronic Suspension)	58803	58412

### SHOCKS & STRUTS

AVALANCHE 2500			
LTV			
Years	Model	Front	Rear
04 - 02	All (Exc. Electronic Suspension)	58817	58412

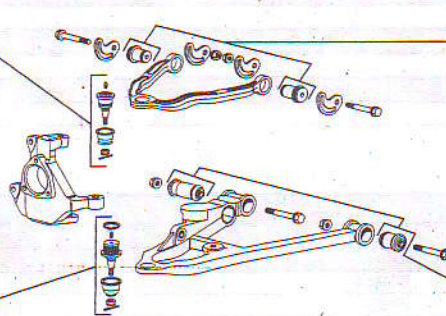
### SPARK PLUGS

AVALANCHE			
Professional			
Year	Engine	Part No.	Gap
04 - 02	V8 5.3L (Z)	41-985	.040
	V8 5.3L (T)	41-985	.040
	V8 8.1L (G)	12561454	.060

## 2004-02 CHEVROLET TRUCK AVALANCHE 1500

4-WHEEL DRIVE

UPPER BALL JOINT			UPPER ARM BUSHING KIT		
Year	Model	Part No.	Year	Description	Part No.
04-02	All	K6540	04-02	Camber Bushing	K6669 <sup>170</sup>
2 Kits required per truck.					
LOWER BALL JOINT			LOWER ARM BUSHING KIT		
Year	Model	Part No.	Year	Model	Part No.
04-02	All	K6541	03-02	All	K6658
2 Kits required per truck.					

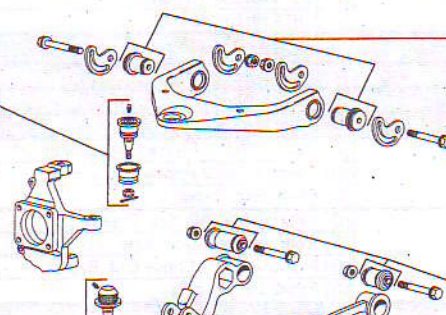


<sup>170</sup>Problem solver offset bushing provides additional camber adjustment.

## 2004-02 CHEVROLET TRUCK AVALANCHE 2500

4-WHEEL DRIVE

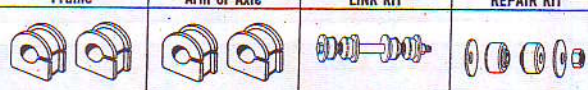
UPPER BALL JOINT			UPPER ARM BUSHING KIT		
Year	Model	Part No.	Year	Description	Part No.
04-02	All	K6696	04-02	Camber Bushing	K6670 <sup>170</sup>
2 Kits required per truck.					
LOWER BALL JOINT			LOWER ARM BUSHING KIT		
Year	Model	Part No.	Year	Model	Part No.
04-02	All	K6693	03-02	All	K6658
2 Kits required per truck.					




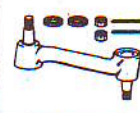
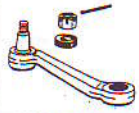
<sup>170</sup>Problem solver offset bushing provides additional camber adjustment.

### FRONT SWAY BAR KITS

YEAR	MODEL	SWAY BAR				
		BUSHING KIT		COMPLETE LINK KIT	LINK REPAIR KIT	
		To Frame	To Lower Control Arm or Axle			
04-02	Avalanche 1500, 2500	With 1 1/16" Dia. Bar	K6437	Not Required	K8987 <sup>435</sup>	
		With 1 1/4" Dia. Bar	K6476	Not Required	K8987 <sup>435</sup>	
		With 1 1/16" Dia. Bar	K6439	Not Required	K8987 <sup>435</sup>	

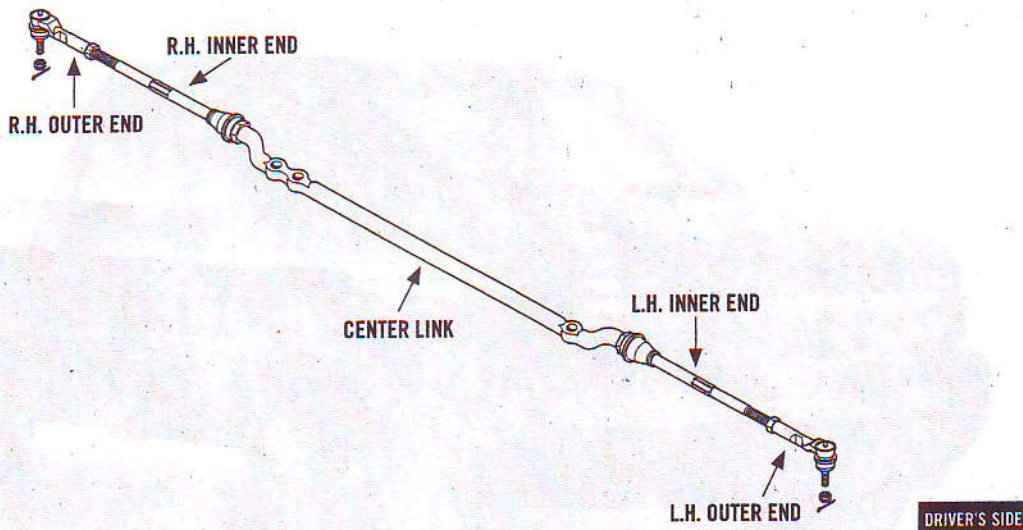


**IDLER ARM & PITMAN ARM KITS**

YEAR	MODEL/STEERING	IDLER ARM		PITMAN ARM
		Super Duty Design	Improved Design	
04-02	Avalanche 1500 4-Wheel Drive			
	Avalanche 2500 4-Wheel Drive		K6534	K6536
			K6535	K6654

**TIE ROD ENDS**

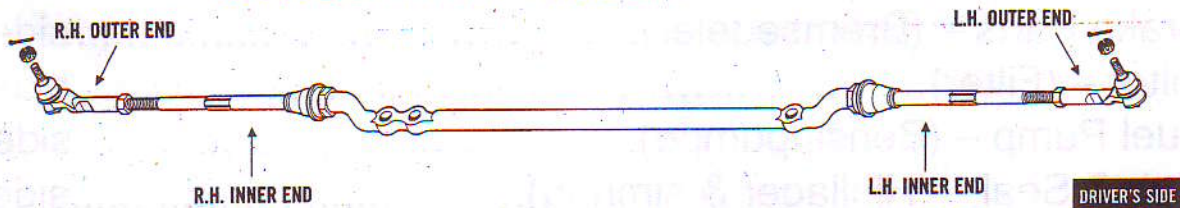
**CHEVROLET TRUCK** 2004-02 AVALANCHE 1500 4-WHEEL DRIVE  
 2004-99 SILVERADO 1500 STANDARD & EXTENDED CAB PICKUP 4-WHEEL DRIVE  
 2004-00 SUBURBAN 1500 4-WHEEL DRIVE  
 2004-00 TAHOE (EXC. Z71) 4-WHEEL DRIVE (NEW STYLE)



YEAR	MODEL	TIE ROD ENDS			
		RIGHT SIDE		LEFT SIDE	
		Outer End	Inner End	Inner End	Outer End
04-99	All	ES3493T <sup>384</sup>	ES3488	ES3488	ES3493T <sup>384</sup>

<sup>384</sup>Enhanced design.

**CHEVROLET TRUCK** 2004-02 AVALANCHE 2500 4-WHEEL DRIVE  
 2004-01 SILVERADO 1500 HD CREW CAB PICKUP 4-WHEEL DRIVE  
 2004-99 SILVERADO 2500 & 2500 HD PICKUP 4-WHEEL DRIVE  
 2004-01 SILVERADO 3500 PICKUP 4-WHEEL DRIVE  
 2004-00 SUBURBAN 2500 4-WHEEL DRIVE



YEAR	MODEL	TIE ROD ENDS			
		RIGHT SIDE		LEFT SIDE	
		Outer End	Inner End	Inner End	Outer End
04-01	All	ES3609	ES3488	ES3488	ES3609
00-99	All	ES3493T <sup>384</sup>	ES3488	ES3488	ES3493T <sup>384</sup>

<sup>384</sup>Enhanced design.

WIPER BLADES			WASHER PUMP
AVALANCHE			
Year		Part No.	Part No.
05 - 02	Driver and Passenger Side	22-1	11-513
	Rear	45-220	11-517